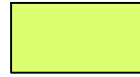


NOTE:



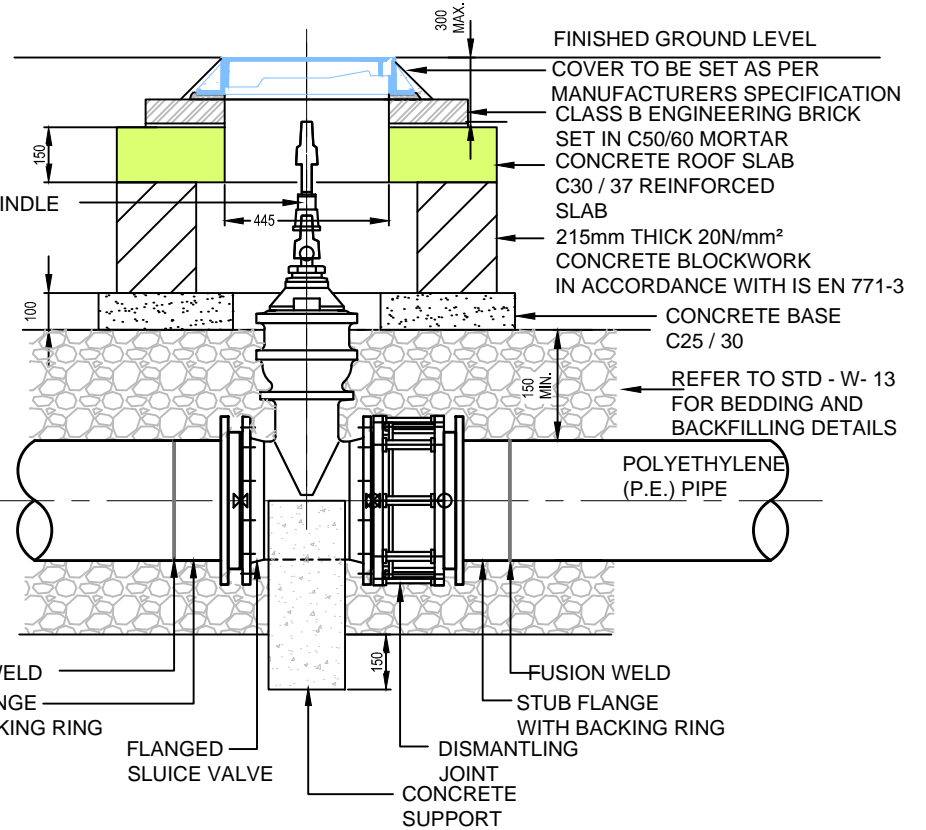
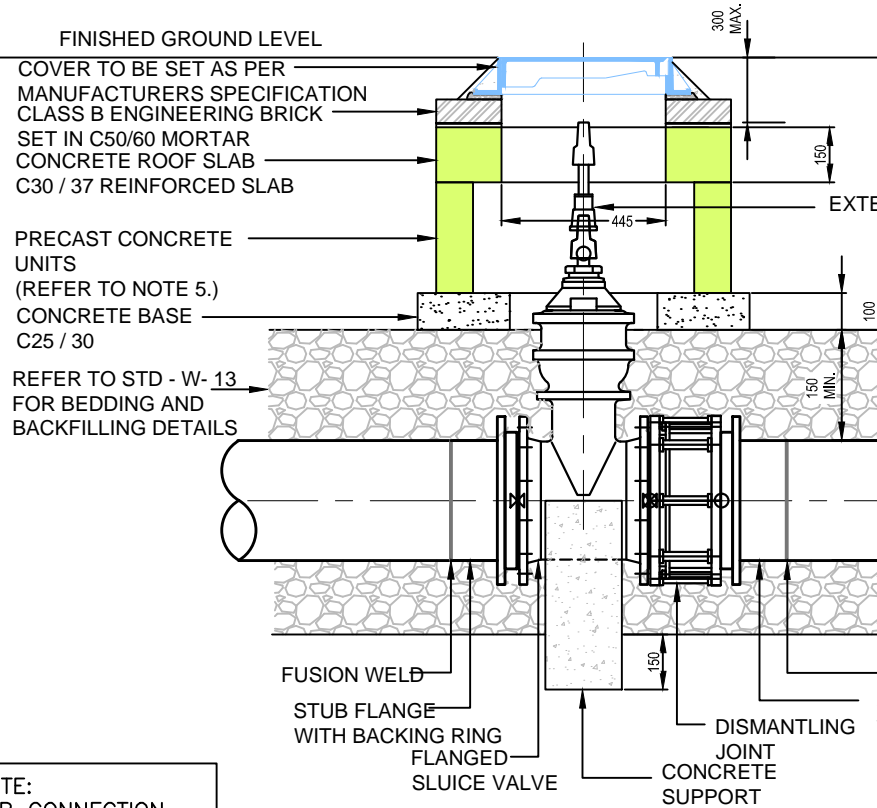
HATCH INDICATES STRUCTURAL CONCRETE

NO PART OF THIS DRAWING MAY BE REPRODUCED OR TRANSMITTED IN ANY FORM OR STORED IN ANY RETRIEVAL SYSTEM OF ANY NATURE WITHOUT THE WRITTEN PERMISSION OF MALONE O'REGAN CONSULTING ENGINEERS AS COPYRIGHT HOLDER EXCEPT AS AGREED FOR USE ON THE PROJECT FOR WHICH THE DRAWING WAS ORIGINALLY ISSUED.

- A. THIS DRAWING SHALL BE READ IN CONJUNCTION WITH ALL RELEVANT ENGINEERS, ARCHITECTS AND SPECIALISTS DRAWINGS.
- B. ALL DIMENSIONS IN mm UNLESS NOTED.
- C. DO NOT SCALE DIMENSIONS.
- D. THE CONTRACTOR SHALL CHECK ALL DIMENSIONS PRIOR TO COMMENCEMENT OF CONSTRUCTION. DISCREPANCIES SHALL BE REPORTED TO THIS OFFICE IN WRITING.

BY	DRAWING No. & REFERENCE	DATE
SURVEY		
ARCH		

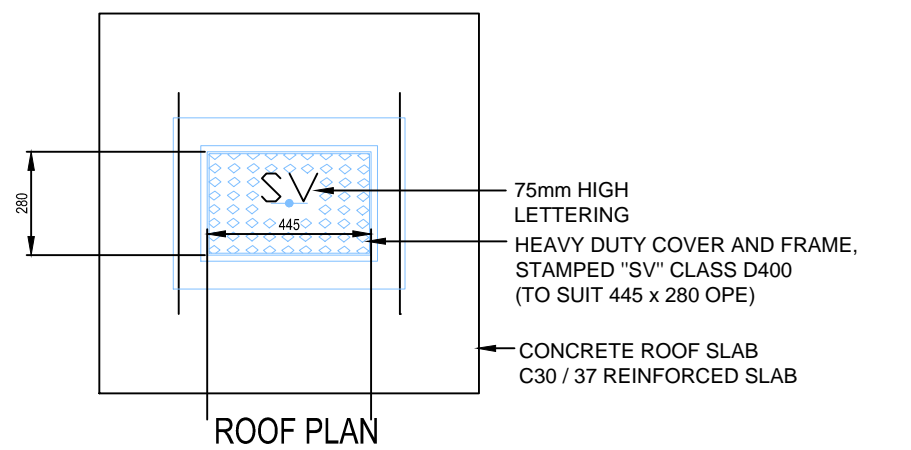
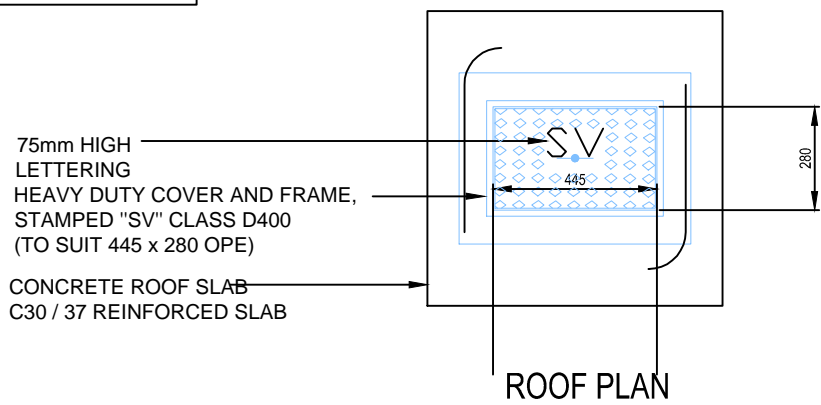
PLINTH DETAIL IN GRASS AREA



NOTE:
FOR CONNECTION USING DUCTILE IRON PIPE WORK REFER TO IRISH WATER DETAIL STD-W-14

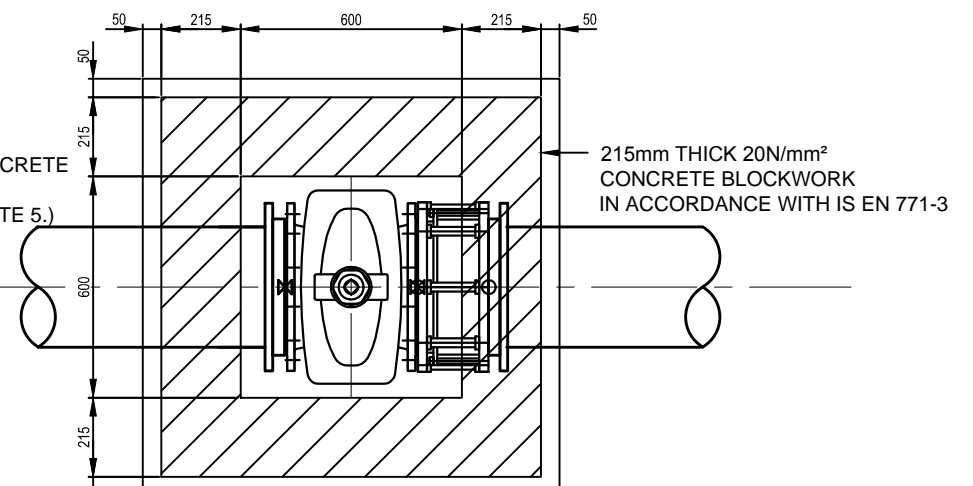
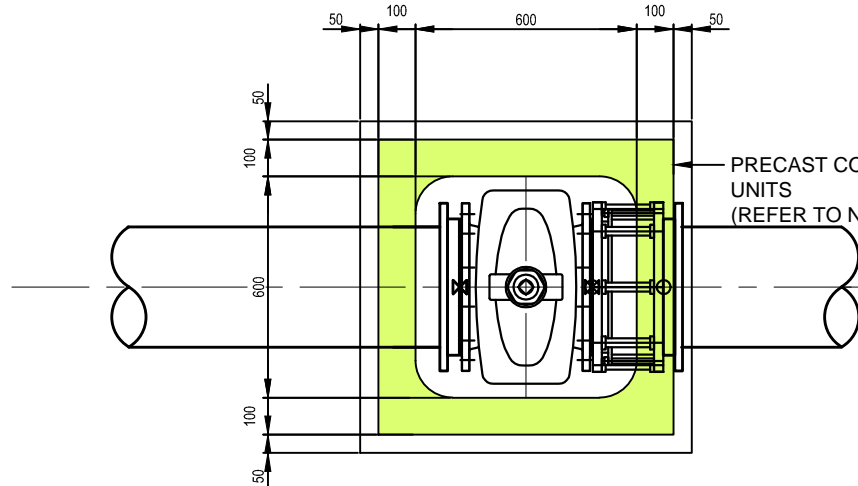
SECTION

SECTION



ROOF PLAN

ROOF PLAN



FLOOR PLAN

FLOOR PLAN

SLUICE VALVE CHAMBER (PRECAST CONCRETE CONSTRUCTION)

SLUICE VALVE CHAMBER (BLOCKWORK CONSTRUCTION)

REV	DESCRIPTION	DATE	DRAWN BY	CHKD BY
P	PART 8 PLANNING	06.04.17	KD	ND

- ALL DIMENSIONS IN MILLIMETRES (MM) UNLESS NOTED OTHERWISE.
- SLUICE VALVE CHAMBERS SHALL BE COVERED WITH APPROVED HEAVY DUTY COVER AND FRAME SHALL BE SUITABLE FOR ROAD AND TRAFFIC CONDITIONS AND IS SUBJECT TO THE APPROVAL OF IRISH WATER.
- SLUICE VALVES SHALL BE DOUBLE FLANGED WITH DUCTILE IRON RESILIENT SEAL GATE VALVES, SUITABLE FOR USE IN WATER MAINS. THEY SHALL COMPLY WITH THE REQUIREMENTS OF IS EN 1074 AND THEY SHALL HAVE THE BS KITEMARK.
- ALL SLUICE VALVES SHALL BE ANTI-CLOCKWISE CLOSING.
- CONCRETE CHAMBERS SHALL BE SURROUNDED BY A MINIMUM OF 150MM COMPACTED CLAUSE 804 MATERIAL AS PER STD-W-13.

MOR
MALONE O'REGAN
CONSULTING ENGINEERS

2B Richview Office Park,
Clonskeagh,
DUBLIN 14.

St. Catherine's House,
Catherine Street
WATERFORD

Tel: +353 1 260 2655
Fax: +353 1 260 2660
Email: info@mor.ie

Tel: +353 51 876 855
Fax: +353 51 876 828
Email: info@waterford.mor.ie

CLIENT NAME	KILDARE COUNTY COUNCIL	DRAWING NAME	SITE DEVELOPMENT DETAILS SHEET 7 WATERMAIN DETAILS 4
JOB NAME	PROPOSED DEVELOPMENT OF 74 NO. RESIDENTIAL UNITS AT CRADDOCKSTOWN ROAD, CRADDOCKSTOWN DEMESNE, NAAS, CO. KILDARE	JOB NUMBER	SHB1-CRA-CS-MOR-DR-126
DWG NO	P	REVISION	
SHEET SIZE	A3	SCALE	1:20
DATE	JAN'17	DRAWN BY	KD
ENGINEER	ND		

DON'T SCALE DIMENSIONS

DON'T FORGET SAFETY