

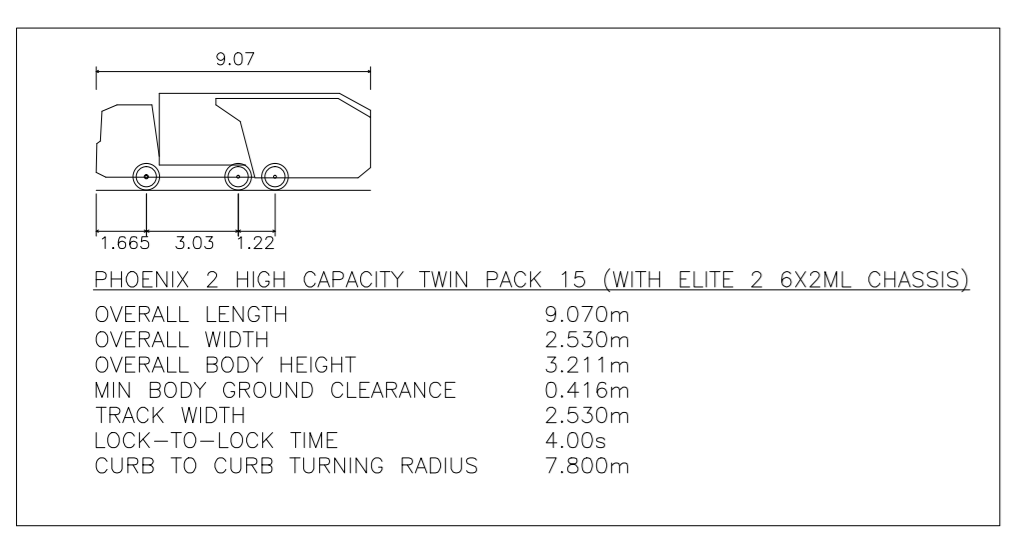
NO PART OF THIS DRAWING MAY BE REPRODUCED OR TRANSMITTED IN ANY FORM OR STORED IN ANY RETRIEVAL SYSTEM OF ANY NATURE WITHOUT THE WRITTEN PERMISSION OF MALONE O'REGAN CONSULTING ENGINEERS AS COPYRIGHT HOLDER EXCEPT AS AGREED FOR USE ON THE PROJECT FOR WHICH THE DRAWING WAS ORIGINALLY ISSUED.

- A. THIS DRAWING SHALL BE READ IN CONJUNCTION WITH ALL RELEVANT ENGINEERS, ARCHITECTS AND SPECIALISTS DRAWINGS.
- B. ALL DIMENSIONS IN mm UNLESS NOTED.
- C. DO NOT SCALE DIMENSIONS.
- D. THE CONTRACTOR SHALL CHECK ALL DIMENSIONS PRIOR TO COMMENCEMENT OF CONSTRUCTION. DISCREPANCIES SHALL BE REPORTED TO THIS OFFICE IN WRITING.

BY	DRAWING No. & REFERENCE	DATE
SURVEY	SHB1-CRA-DR-107-DR-107-25	11/01/17
ARCH	00495 DWG-SHB1-CRA-DR-107-DR-107-25	23/03/17



SWEPT PATH ANALYSIS – REFUSE TRUCK
SCALE 1:500



REV	DESCRIPTION	DATE	DRWN BY	CHKD BY
P	PART 8 PLANNING	06.04.17	KD	ND

MALONE O'REGAN
CONSULTING ENGINEERS

2B Richview Office Park,
Clonskeagh,
DUBLIN 14.

Tel: +353 1 260 2655
Fax: +353 1 260 2660
Email: info@mor.ie

St. Catherine's House,
Catherine Street
WATERFORD

Tel: +353 51 876 855
Fax: +353 51 876 828
Email: info@waterford.mor.ie

CLIENT NAME	KILDARE COUNTY COUNCIL			DRAWING NAME	SWEPT PATH ANALYSIS										
JOB NAME	PROPOSED DEVELOPMENT OF 74 NO. RESIDENTIAL UNITS AT CRADDOCKSTOWN ROAD, CRADDOCKSTOWN DEMESNE, NAAS, CO. KILDARE														
JOB NUMBER	SHB1-CRA-CS-MOR-DR-107	DWG NO		REVISION	P	SHEET SIZE	A1	SCALE	1:500	DATE	JAN '17	DRAWN BY	KD	ENGINEER	ND