

NO PART OF THIS DRAWING MAY BE REPRODUCED OR TRANSMITTED IN ANY FORM OR STORED IN ANY RETRIEVAL SYSTEM OF ANY NATURE WITHOUT THE WRITTEN PERMISSION OF MALONE O'REGAN CONSULTING ENGINEERS AS COPYRIGHT HOLDER EXCEPT AS AGREED FOR USE ON THE PROJECT FOR WHICH THE DRAWING WAS ORIGINALLY ISSUED.

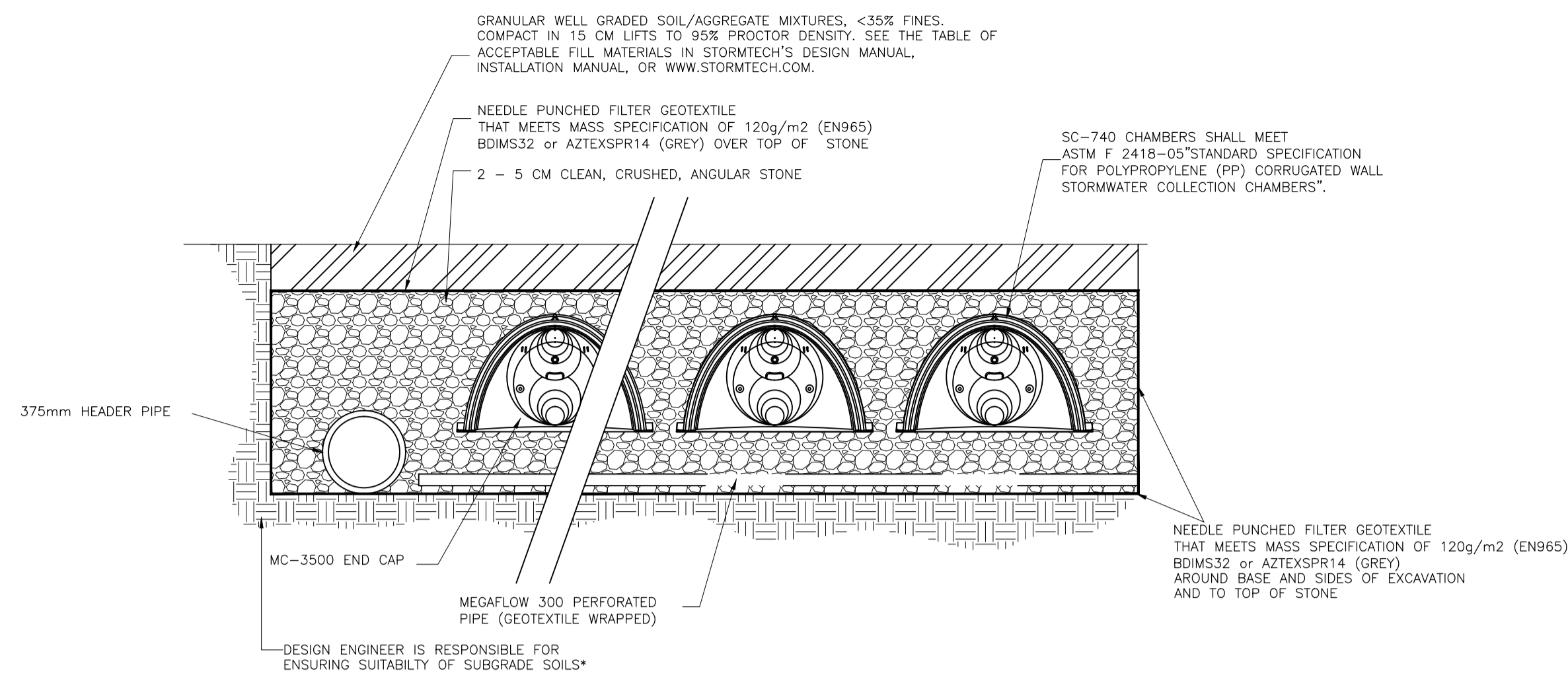
A. THIS DRAWING SHALL BE READ IN CONJUNCTION WITH ALL RELEVANT ENGINEERS, ARCHITECTS AND SPECIALISTS DRAWINGS.

B. ALL DIMENSIONS IN mm UNLESS NOTED.

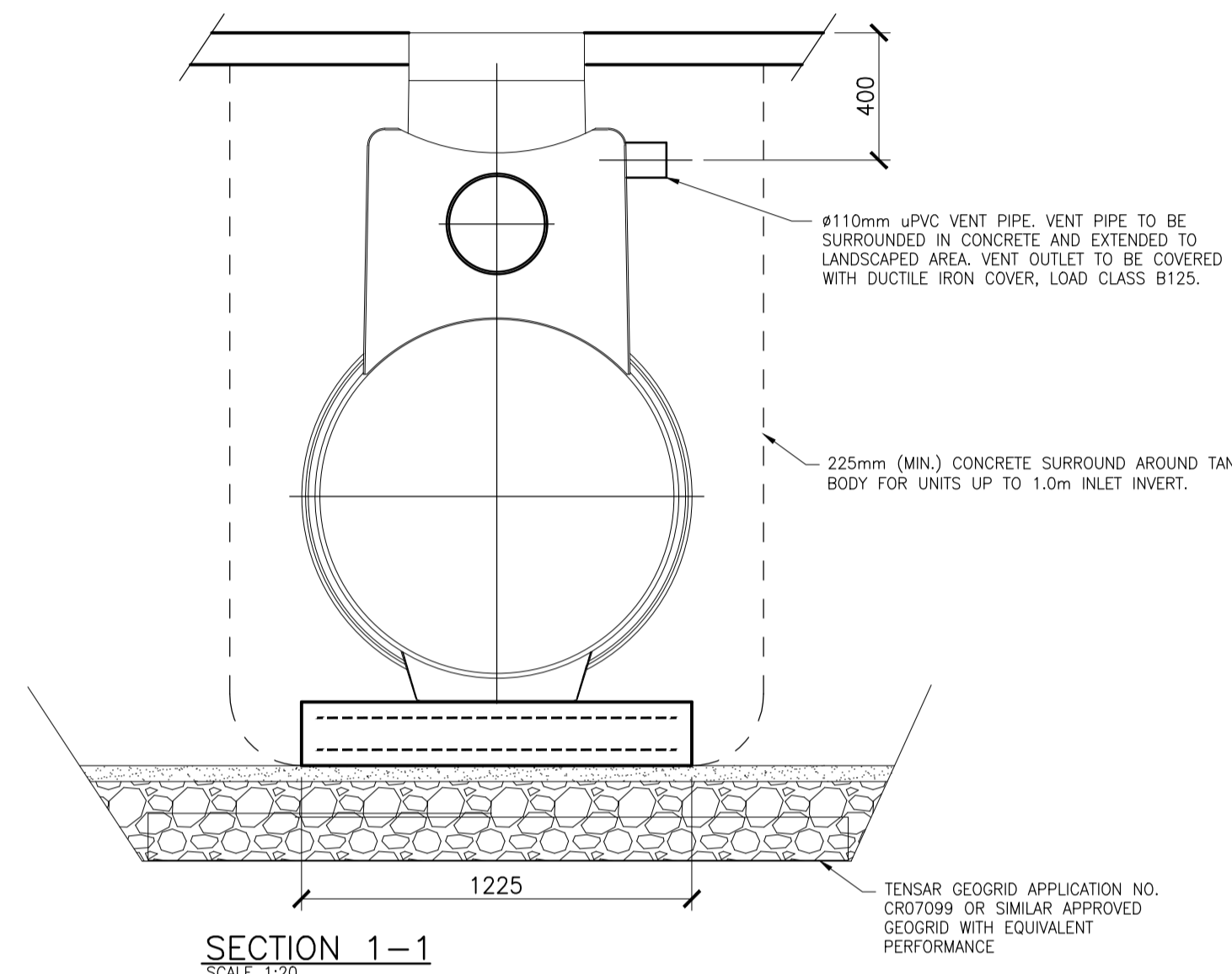
C. DO NOT SCALE DIMENSIONS.

D. THE CONTRACTOR SHALL CHECK ALL DIMENSIONS PRIOR TO COMMENCEMENT OF CONSTRUCTION. DISCREPANCIES SHALL BE REPORTED TO THIS OFFICE IN WRITING.

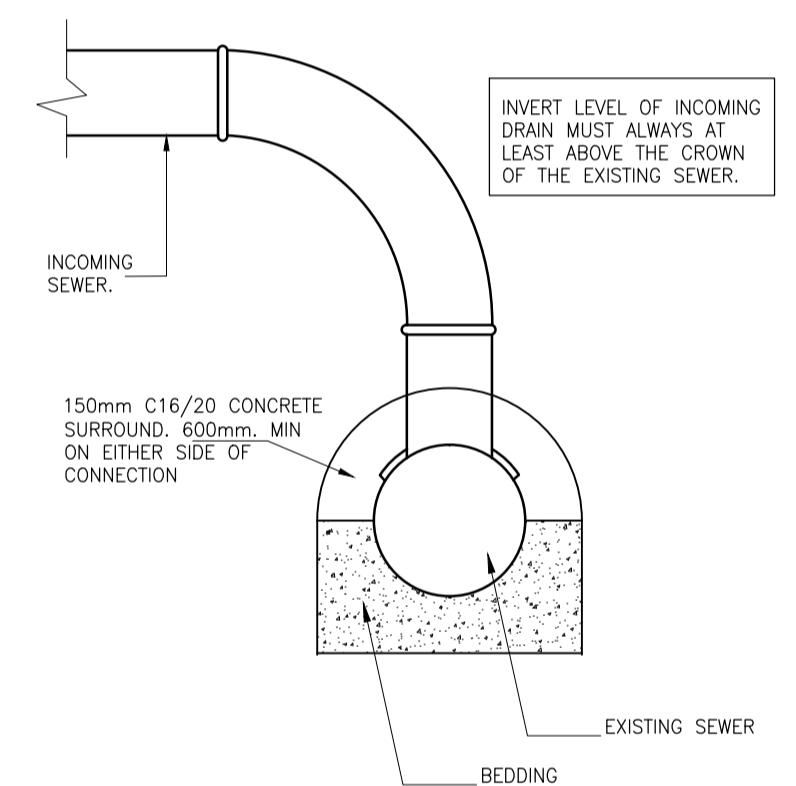
LOCAL AUTHORITY / COUNTY COUNCIL GUIDELINES FOR THE DESIGN AND CONSTRUCTION OF HOUSING MANUAL TO TAKE PRECEDENCE WHERE ANY CONFLICT OCCURS.



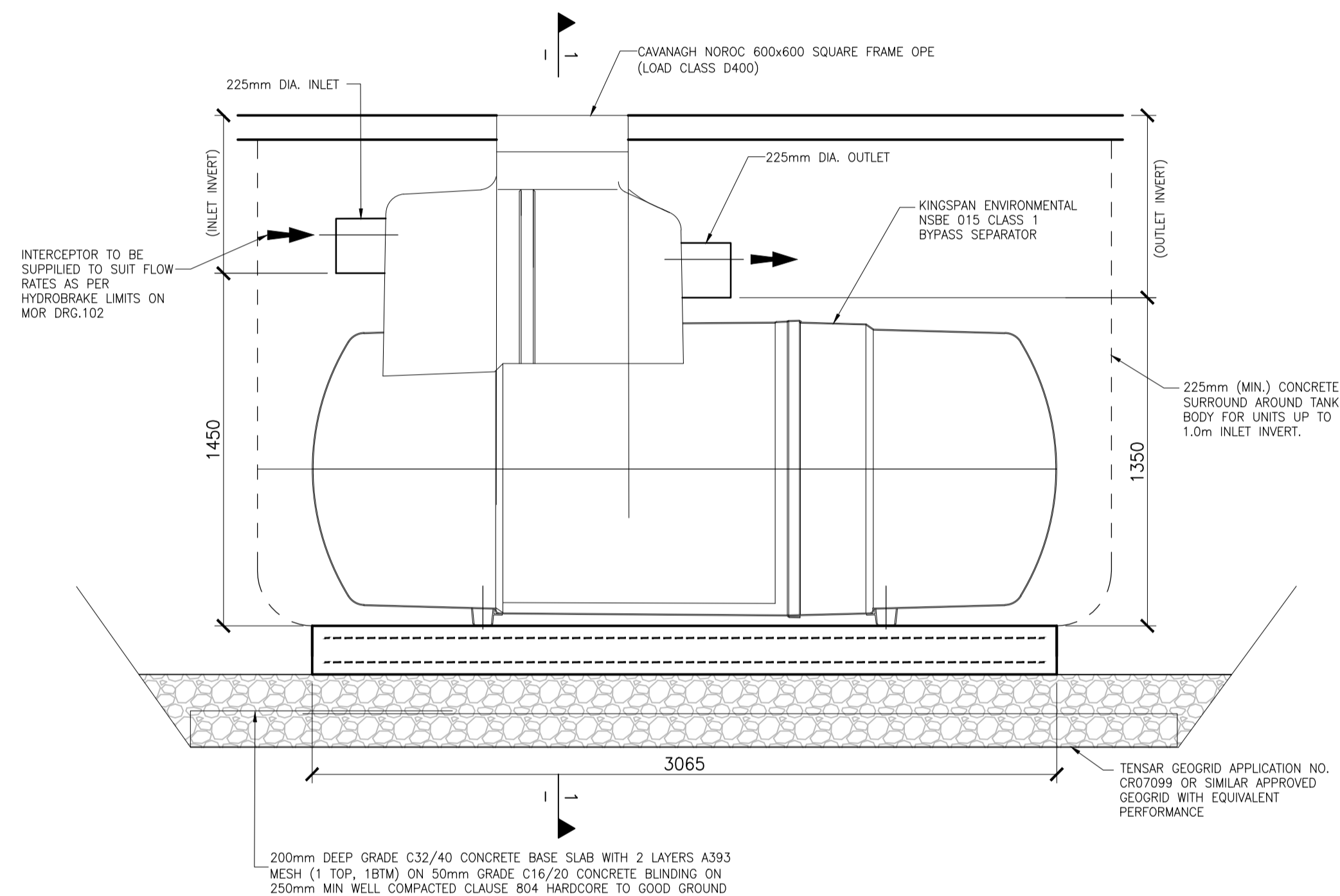
TYPICAL SECTION THROUGH STORMTECH CHAMBERS



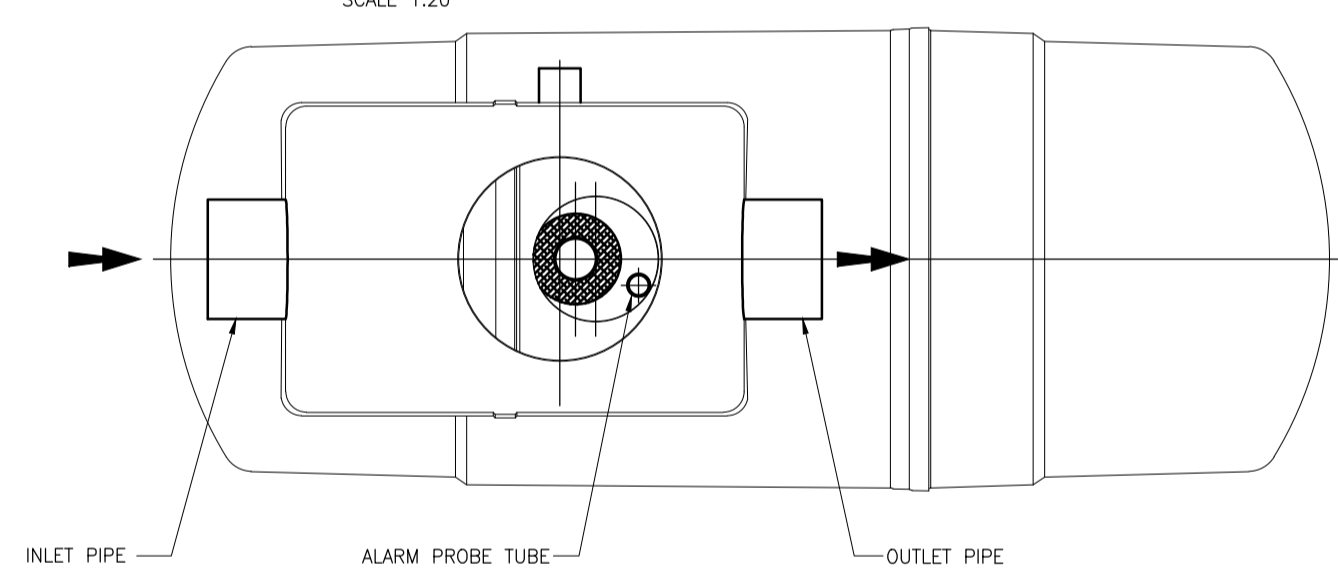
SECTION 1-1 SCALE 1:20



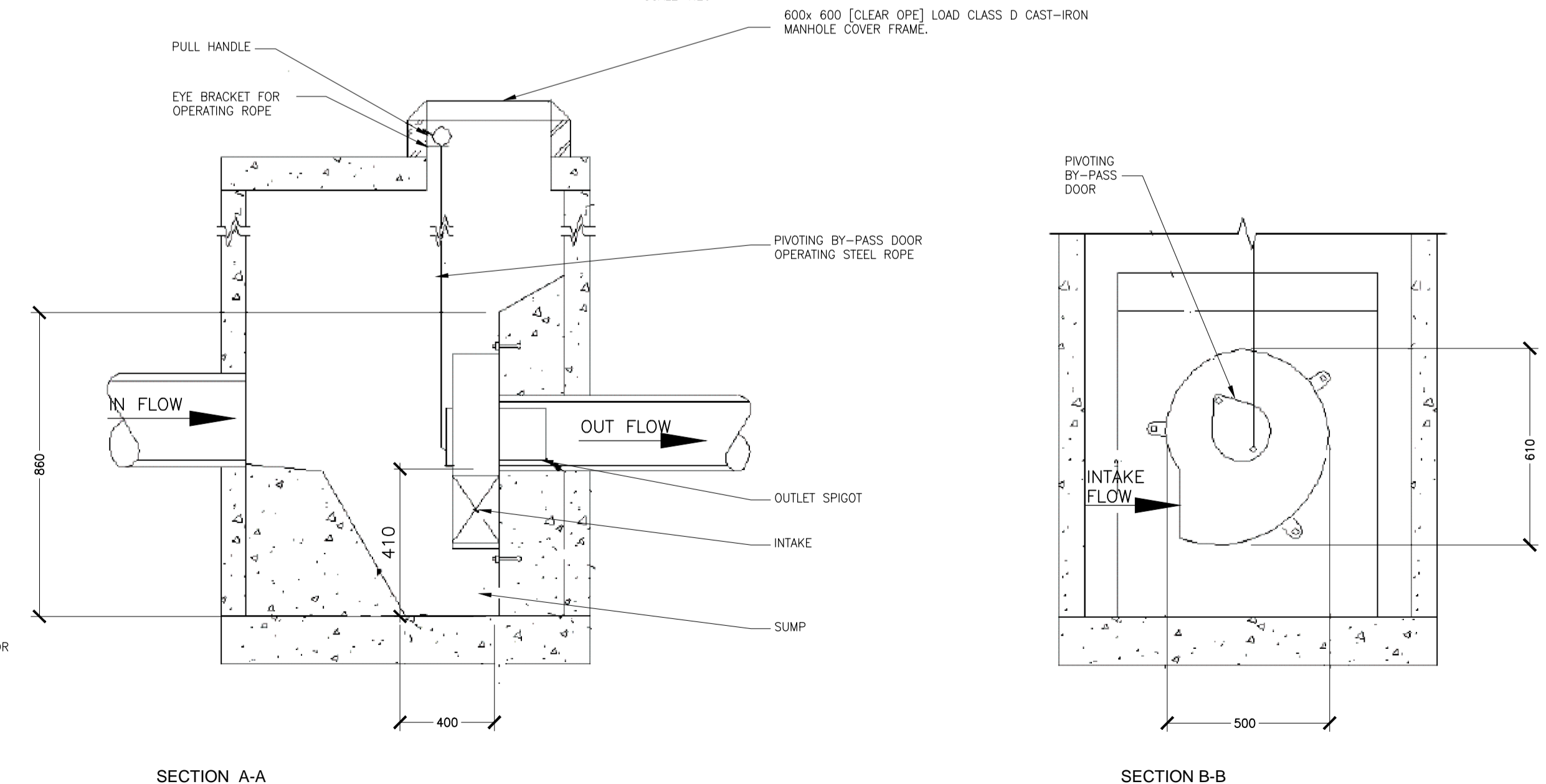
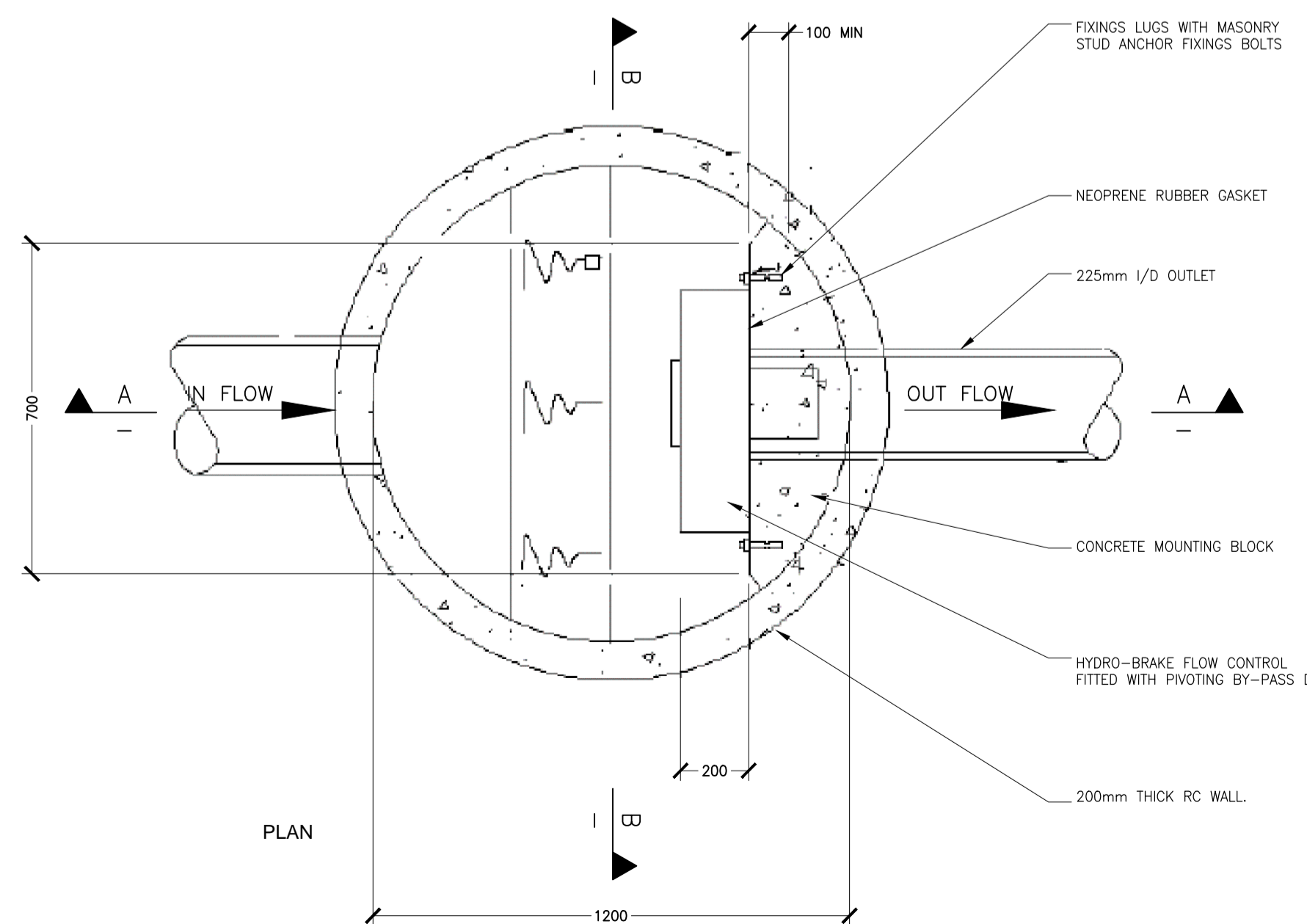
TYPICAL GULLY SADDLE CONNECTION SCALE 1:20



NSBE 015 CLASS 1 BYPASS SEPARATOR SCALE 1:20



PLAN ON PETROL INTERCEPTOR SCALE 1:20



SMH HYDRO BRAKE FLOW CONTROL SCALE N.T.S.

P1	ISSUED FOR PART 8 PLANNING	13.04.17	KD	DW
P	PLANNING ISSUE	08.02.17	KD	DW
REV	DESCRIPTION	DATE	DRAWN BY	CHKD BY

ADR
MALONE O'REGAN
CONSULTING ENGINEERS

2B Richview Office Park,
Clonskeagh,
DUBLIN 14.

Tel: +353 1 260 2655
Fax: +353 1 260 2660
Email: info@mor.ie

St. Catherine's House,
Catherine Street
WATERFORD

Tel: +353 51 876 855
Fax: +353 51 876 828
Email: info@waterford.mor.ie

CLIENT NAME	RESPOND	DRAWING NAME	SITE DEVELOPMENT DETAILS												
JOB NAME	PROPOSED DEVELOPMENT AT FLINTERS FIELD, ATHY CO. KILDARE	SHEET	SHEET 2 DRAINAGE DETAILS												
JOB NUMBER	16036	DRAWING NUMBER	121	REVISION	P1	SHEET SIZE	A1	SCALE	SHOWN	DATE	DEC'16	DRAWN BY	KD	ENGINEER	ND