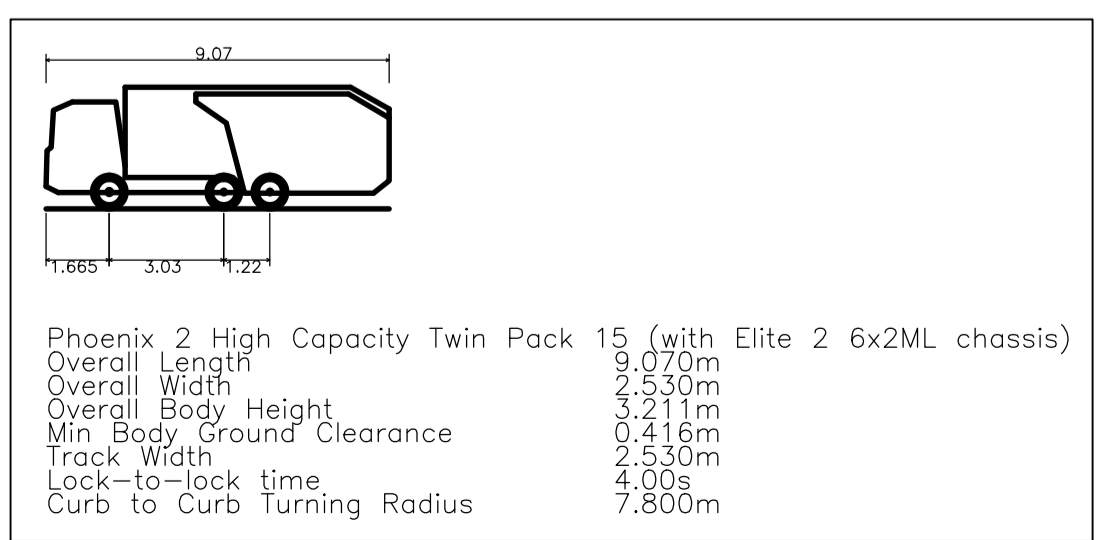


NO PART OF THIS DRAWING MAY BE REPRODUCED OR TRANSMITTED IN ANY FORM OR STORED IN ANY RETRIEVAL SYSTEM OF ANY NATURE WITHOUT THE WRITTEN PERMISSION OF MALONE O'REGAN CONSULTING ENGINEERS AS COPYRIGHT HOLDER EXCEPT AS AGREED FOR USE ON THE PROJECT FOR WHICH THE DRAWING WAS ORIGINALLY ISSUED.

A. THIS DRAWING SHALL BE READ IN CONJUNCTION WITH ALL RELEVANT ENGINEERS, ARCHITECTS AND SPECIALISTS DRAWINGS.  
 B. ALL DIMENSIONS IN mm UNLESS NOTED.  
 C. DO NOT SCALE DIMENSIONS.  
 D. THE CONTRACTOR SHALL CHECK ALL DIMENSIONS PRIOR TO COMMENCEMENT OF CONSTRUCTION. DISCREPANCIES SHALL BE REPORTED TO THIS OFFICE IN WRITING.

BY	DRAWING No. & REFERENCE	DATE
SURVEY	Apex Survey, Dns 2/160	10.10.16
ARCH	Harrington Drg. 305-NAN-PL-011_Site Layout	01.02.18

SWEPT PATH ANALYSIS FOR REFUSE TRUCK  
 SCALE 1:500



P	PART 8 PLANNING ISSUE	12.02.18	KD	RO'D
REV	DESCRIPTION	DATE	DRWN BY	CHKD BY
P	ISSUED FOR PLANNING			

<p><b>MALONE O'REGAN</b> CONSULTING ENGINEERS</p>	2B Richview Office Park, Clonskeagh, DUBLIN 14. Tel: +353 1 260 2655 Fax: +353 1 260 2660 Email: info@mor.ie	St. Catherine's House, Catherine Street WATERFORD Tel: +353 51 876 855 Fax: +353 51 876 828 Email: info@waterford.mor.ie
---	---	---

CLIENT NAME	KILDARE COUNTY COUNCIL	DRAWING NAME	SWEPT PATH ANALYSIS
JOB NAME	PROPOSED RESIDENTIAL DEVELOPMENT AT NANCY'S LANE CLANE, CO. KILDARE		
JOB NUMBER	SHB2-CLA-CS-MOR-DR-107	DWG NO	REVISION
		P	
SHEET SIZE	SCALE	DATE	DRWN BY
A1	1:500	FEB'18	KD
ENGINEER			RO'D