

DON'T FORGET SAFETY

GRANULAR WELL GRADED SOIL/AGGREGATE MIXTURES, <35% FINES, COMPACT IN 15 CM LIFTS TO 95% PROCTOR DENSITY. SEE THE TABLE OF ACCEPTABLE FILL MATERIALS IN STORMTECH'S DESIGN MANUAL, INSTALLATION MANUAL, OR WWW.STORMTECH.COM.

NEEDLE PUNCHED FILTER GEOTEXTILE THAT MEETS MASS SPECIFICATION OF 120g/m<sup>2</sup> (EN965) BDM532 or AZTEXPR14 (GREY) OVER TOP OF STONE

SC-310 CHAMBERS SHALL MEET ASTM F 2418-05 STANDARD SPECIFICATION FOR POLYPROPYLENE (PP) CORRUGATED WALL STORMWATER COLLECTION CHAMBERS.

2 - 5 CM CLEAN, CRUSHED, ANGULAR STONE

MEGAFLOW 300 PERFORATED PIPE (GEOTEXTILE WRAPPED)

MC-3500 END CAP

DESIGN ENGINEER IS RESPONSIBLE FOR ENSURING SUITABILITY OF SUBGRADE SOILS\*

TYPICAL SECTION THROUGH STORMTECH CHAMBERS

- ALL DIMENSIONS IN MILLIMETRES (MM) UNLESS NOTED OTHERWISE.
- THE MINIMUM DEPTH OF COVER FROM THE FINISHED SURFACE TO SHOULD BE PROTECTION WITHOUT THE CROWN OF GRAVITY PIPES AS FOLLOWS:
  - DOMESTIC GARDENS AND PATHWAYS WITHOUT ANY POSSIBILITY OF VEHICULAR ACCESS - DEPTH NOT LESS THAN 0.5 M. (THIS WOULD NORMALLY RELATE TO DRAINS IN PRIVATE PROPERTY, SHALLOW PIPES OF THIS NATURE ARE UNDESIRABLE AND SHOULD BE INSTALLED IN ACCORDANCE WITH THE CURRENT BUILDING REGULATIONS).
  - DOMESTIC DRIVEWAYS, PARKING AREAS AND YARDS WITH HEIGHT RESTRICTIONS TO PREVENT ENTRY BY VEHICLES WITH A GROSS VEHICLE WEIGHT IN EXCESS OF 7.5 TONNES - DEPTH NOT LESS THAN 0.75 M.
  - DOMESTIC DRIVEWAYS, PARKING AREAS AND NARROW STREETS WITHOUT FOOTWAYS (E.G. MEWS DEVELOPMENTS) WITH LIMITED ACCESS FOR VEHICLES WITH A GROSS VEHICLE WEIGHT IN EXCESS OF 7.5 TONNES - DEPTH NOT LESS THAN 0.9 M. D) DEPTHS OF SEWERS IN GATED ESTATES SHALL BE SIMILAR TO THAT OUTLINED ABOVE. E) AGRICULTURAL LAND AND PUBLIC OPEN SPACE - DEPTH NOT LESS THAN 0.9 M. F) OTHER HIGHWAYS AND PARKING AREAS WITH UNRESTRICTED ACCESS TO VEHICLES WITH A GROSS VEHICLE WEIGHT IN EXCESS OF 7.5 TONNES - DEPTH NOT LESS THAN 1.2 M.
- CLAUSE 804 MATERIAL IN ACCORDANCE WITH THE NATIONAL ROADS AUTHORITY SPECIFICATION FOR ROAD WORKS IS TO BE USED AS BACKFILL MATERIAL WHERE THE SEWER MAIN IS LOCATED IN ROADS, FOOTPATHS OR WHEN THE NEAREST PART OF THE TRENCH IS WITHIN 1M OF THE PAVED EDGE OF THE ROADWAY. CLAUSE 804 IS TO BE COMPACTED AS PER CLAUSE 802 OF THE NATIONAL ROADS AUTHORITY SPECIFICATION FOR ROAD WORKS.
- SELECTED EXCAVATED MATERIAL MAY BE USED IN GREEN-FIELD AREAS ABOVE GRANULAR PIPE SURROUND MATERIAL SUBJECT TO THE APPROVAL OF IRISH WATER.
- PIPE BEDDING SHALL COMPLY WITH WIS 4-08-02 AND IGN 4-08-01 GRANULAR MATERIAL SHALL BE 14MM TO 5MM GRADED AGGREGATE OR 10MM SINGLE SIZED AGGREGATE.
- IN SOFT GROUND CONDITIONS (CBR < 5) THE MATERIAL SHOULD BE EXCAVATED AND DISPOSED OF IN ACCORDANCE WITH THE WASTE MANAGEMENT ACT AND CLAUSE 804 MATERIAL IN ACCORDANCE WITH THE NATIONAL ROADS AUTHORITY SPECIFICATION FOR ROAD WORKS SHALL REPLACE THE EXCAVATED MATERIAL, WRAPPED IN GEO-TEXTILE WRAPPING, ALTERNATIVELY, SPECIAL PIPE SUPPORT ARRANGEMENTS, INCLUDING PILING ETC. MAY BE REQUIRED WHERE THE DEPTH OF SOFT MATERIAL IS EXCESSIVE. SUCH ARRANGEMENTS SHALL BE SUBJECT TO ASSESSMENT BY IRISH WATER BEFORE ADVANCING WITH THE WORK.
- IN GREEN FIELD AREAS, TYPE B BACKFILL (SELECTED EXCAVATED MATERIAL) WILL BE ALLOWED ABOVE THE SIDE HAUNCH GRANULAR MATERIAL IN THE CASE OF RIGID PIPES. A GRANULAR SURROUND OF A MINIMUM DEPTH OF 150MM ABOVE THE CROWN OF THE PIPE IS REQUIRED FOR FLEXIBLE PIPES AND TYPE B MATERIAL MAY BE USED AS BACKFILL ABOVE THIS. ALL RISING MAINS IN GREENFIELD AREAS SHALL HAVE A MINIMUM COVER OF 300MM OF GRANULAR MATERIAL ABOVE THE EXTERNAL CROWN OF THE PIPE.
- PIPES SHALL NOT BE SUPPORTED ON STONES OR ROCKS, OR ANY HARD OBJECT AT ANY POINT ALONG THE TRENCH. ROCK SHALL BE EXCAVATED TO A DEPTH OF 150MM BELOW THE ACTUAL DEPTH OF THE TRENCH WITH THE VOID FILLED WITH CLAUSE 804 MATERIAL. IN ACCORDANCE WITH THE NATIONAL ROADS AUTHORITY SPECIFICATION FOR ROAD WORKS, THE GRANULAR MATERIAL SHALL BE LAID ABOVE THIS VOID BACKFILL MATERIAL.
- NON DEGRADABLE MARKER TAPE SHOULD BE INSTALLED 350MM FROM THE SURFACE OF THE ROAD. IN THE CASE OF NON METAL PIPE MATERIAL, THE MARKER TAPE SHOULD INCORPORATE A TRACE WIRE WHICH IS LINKED TO FITTINGS AND TERMINATED AT THE WASTE WATER PUMPING STATION AND THE DISCHARGE MANHOLE.

PIPE DIAMETER 'A' (mm)	TRENCH WIDTH 'B' (mm)
< 80	500
100	500
150	600
200	600
250	750
300	750
350	750
400	900
450	900

PIPE DIAMETER 'A' (mm)	DEPTH OF BEDDING 'C' (mm)
< 200	150
> 250	200

NO PART OF THIS DRAWING MAY BE REPRODUCED OR TRANSMITTED IN ANY FORM OR STORED IN ANY RETRIEVAL SYSTEM OF ANY NATURE WITHOUT THE WRITTEN PERMISSION OF MALONE O'REGAN CONSULTING ENGINEERS AS COPYRIGHT HOLDER EXCEPT AS AGREED FOR USE ON THE PROJECT FOR WHICH THE DRAWING WAS ORIGINALLY ISSUED.

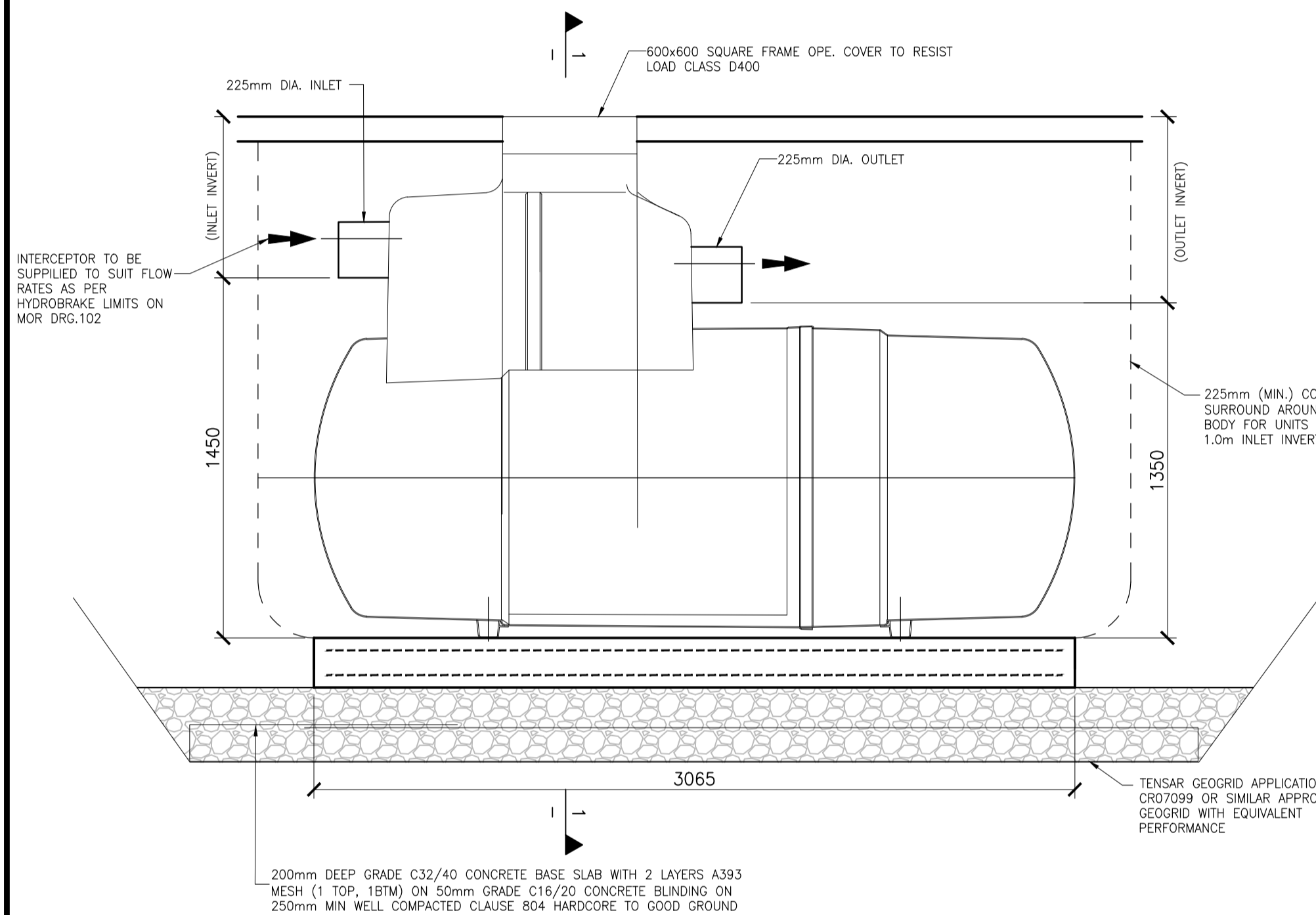
A. THIS DRAWING SHALL BE READ IN CONJUNCTION WITH ALL RELEVANT ENGINEERS, ARCHITECTS AND SPECIALISTS DRAWINGS.

B. ALL DIMENSIONS IN mm UNLESS NOTED.

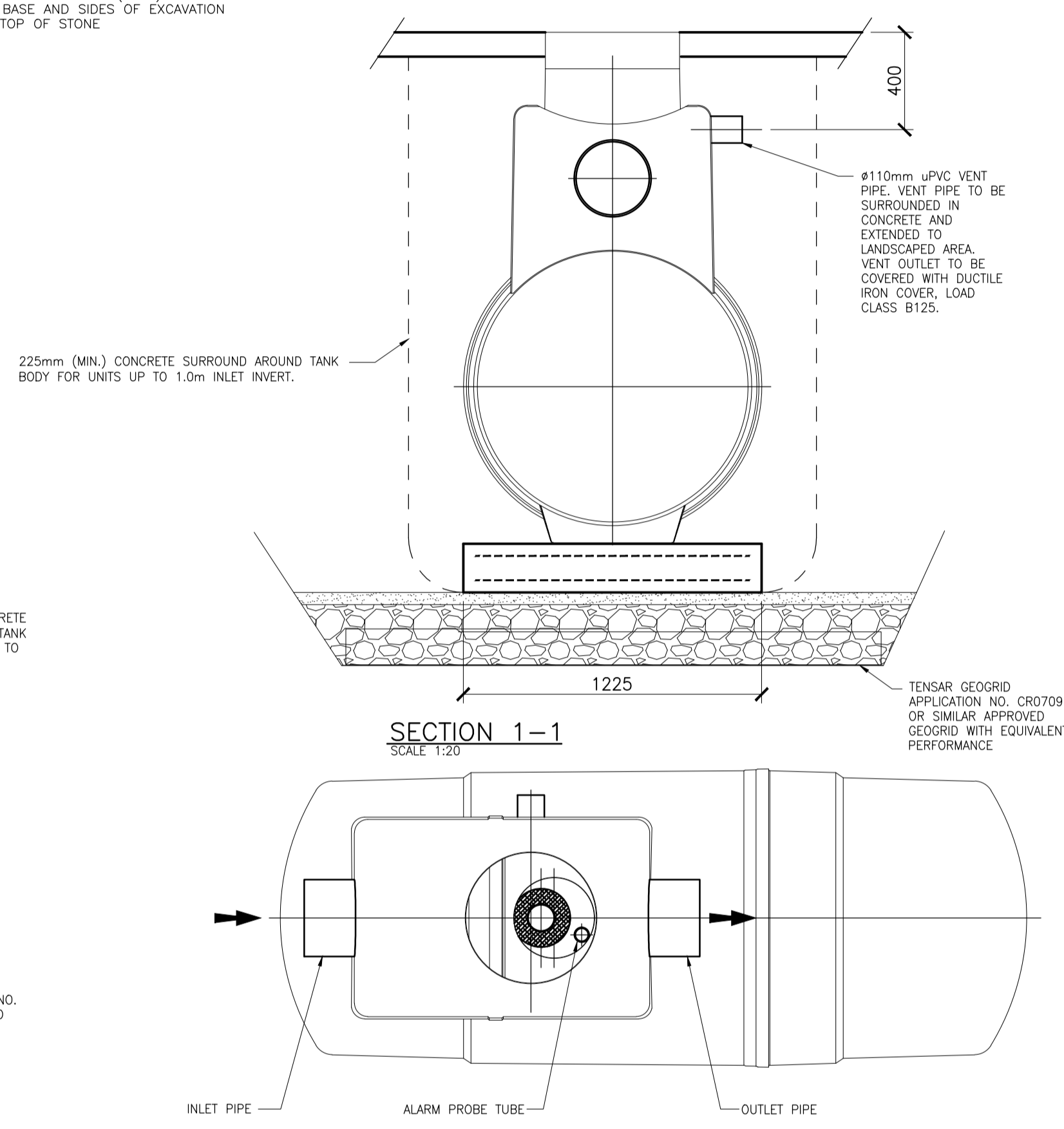
C. DO NOT SCALE DIMENSIONS.

D. THE CONTRACTOR SHALL CHECK ALL DIMENSIONS PRIOR TO COMMENCEMENT OF CONSTRUCTION. DISCREPANCIES SHALL BE REPORTED TO THIS OFFICE IN WRITING.

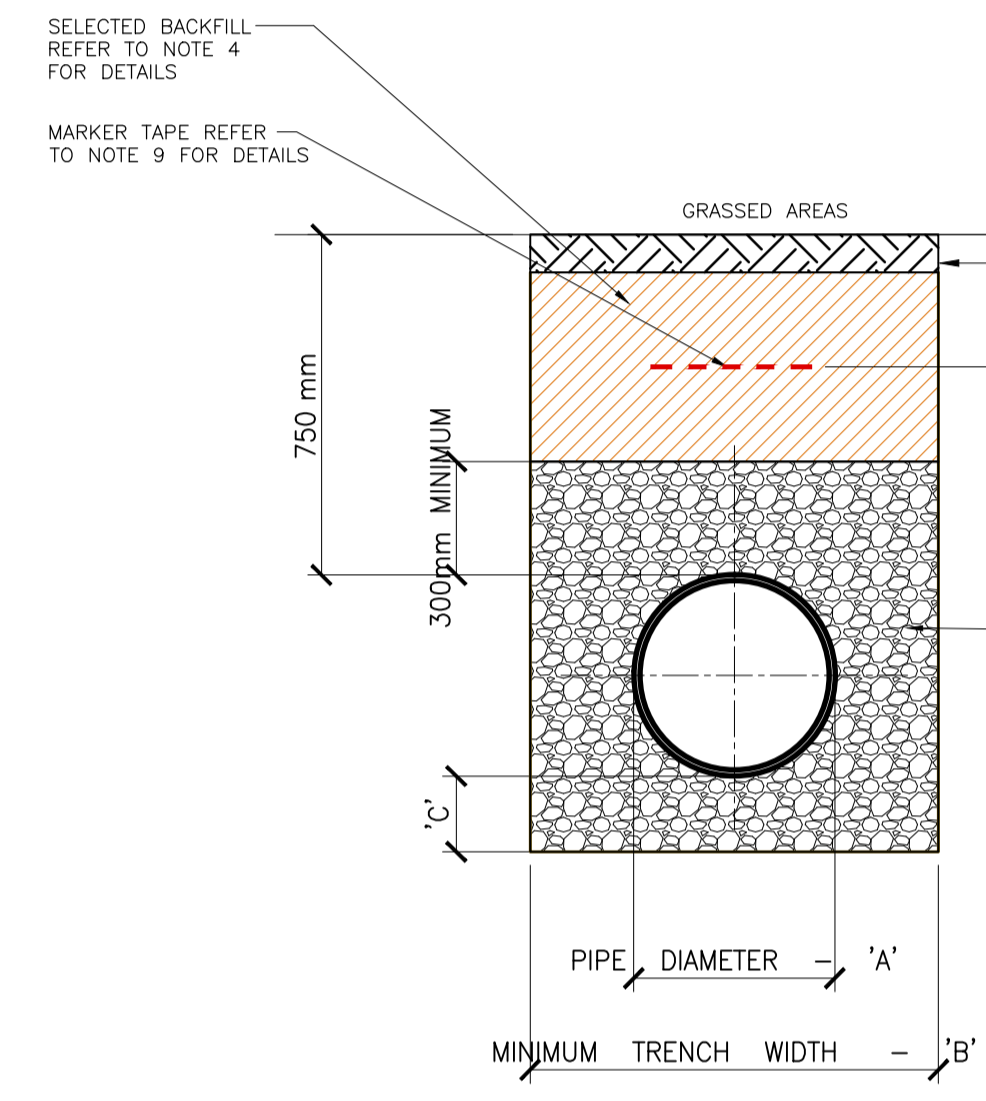
LOCAL AUTHORITY / COUNTY COUNCIL GUIDELINES FOR THE DESIGN AND CONSTRUCTION OF HOUSING MANUAL TO TAKE PRECEDENCE WHERE ANY CONFLICT OCCURS.



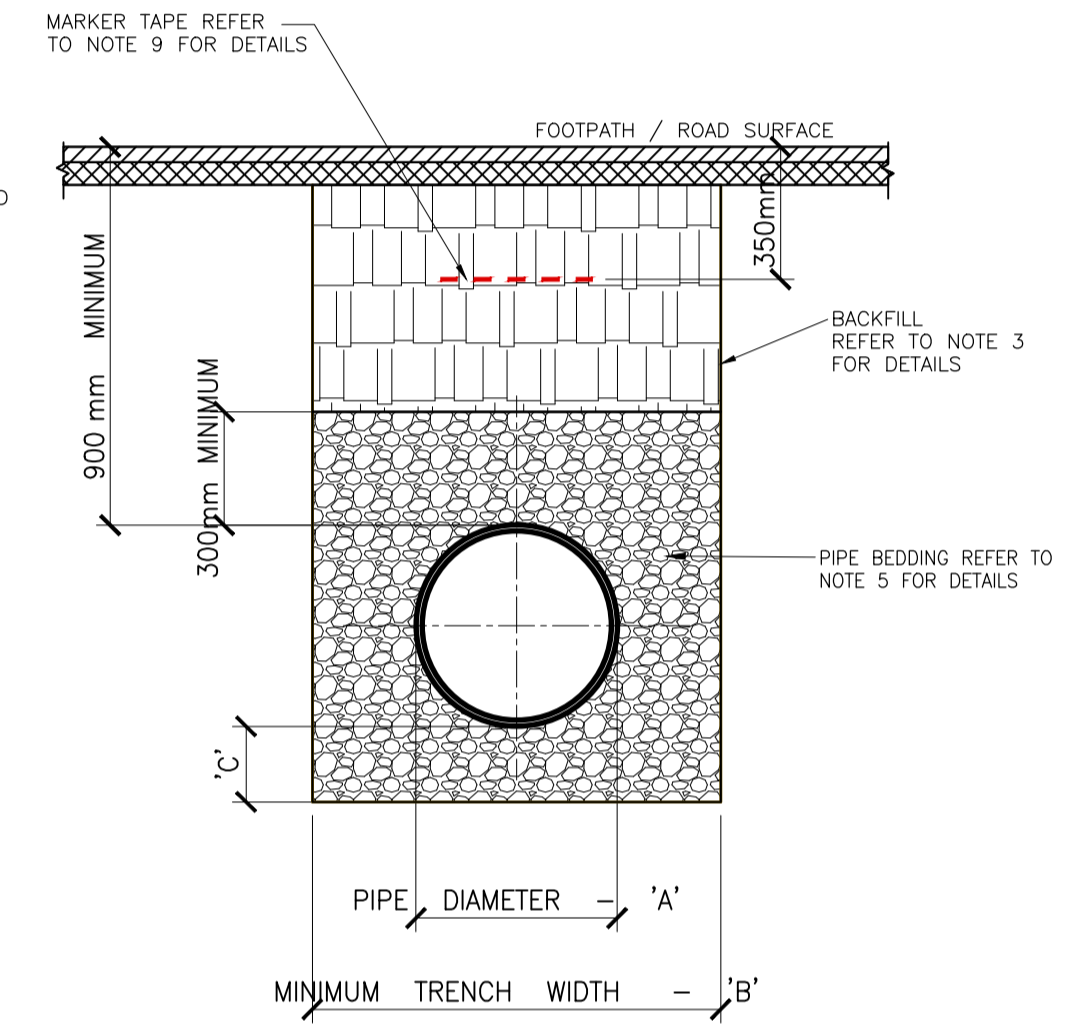
KLARGESTER CLASS 1 BYPASS PETROL INTERCEPTOR  
SCALE 1:20



PLAN ON PETROL INTERCEPTOR  
SCALE 1:20

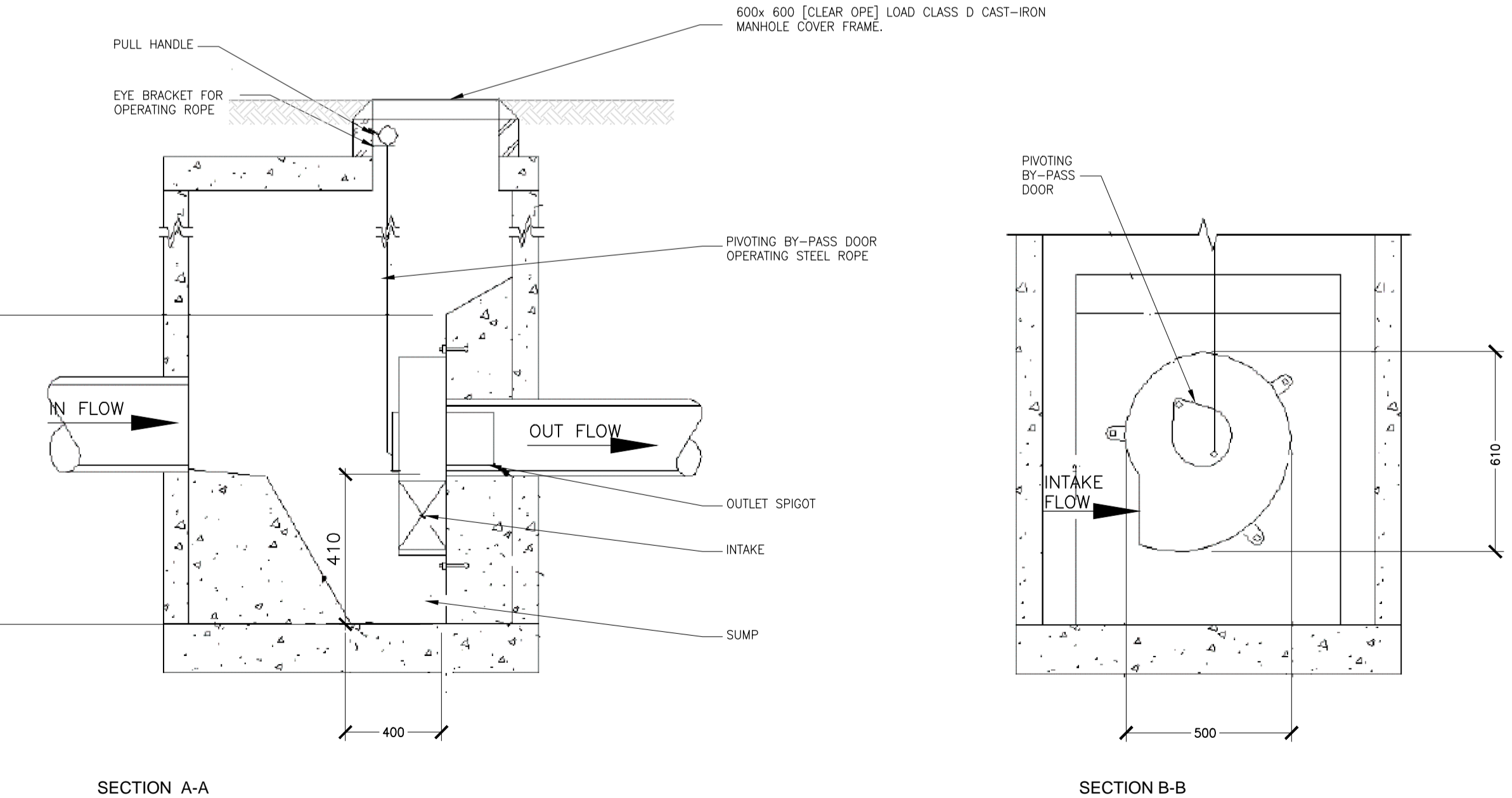
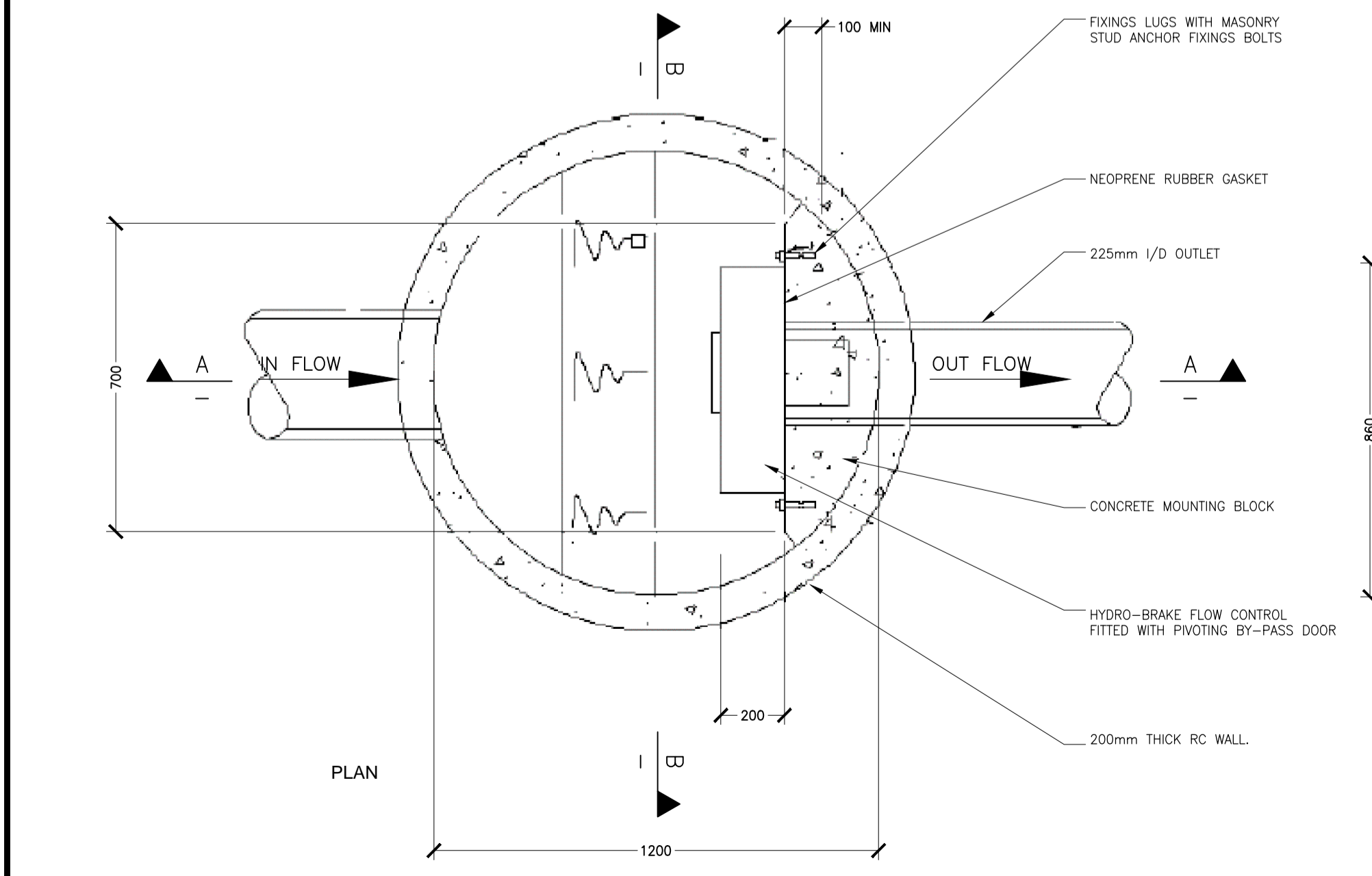


CROSS SECTION IN GRASSED AREAS

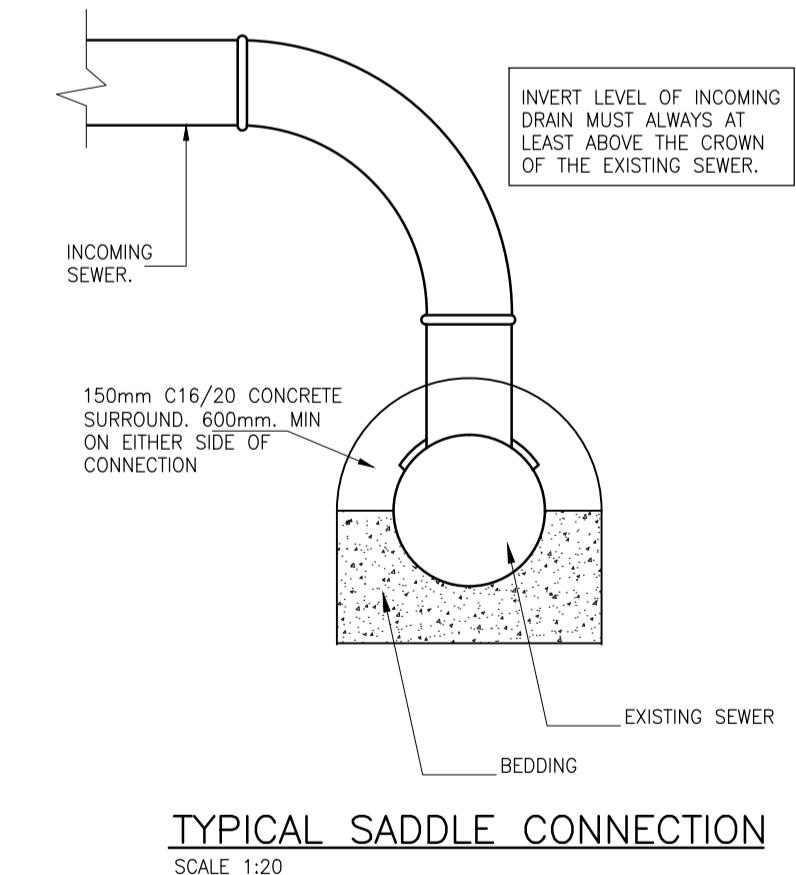


CROSS SECTION IN ROADWAYS

DRAINAGE BEDDING DETAILS



SMH HYDRO BRAKE FLOW CONTROL  
SCALE N.T.S.



TYPICAL SADDLE CONNECTION  
SCALE 1:20

P	PART 8 PLANNING ISSUE	12.02.18	KD	RO'D
REV	DESCRIPTION	DATE	DRWN BY	CHKD BY
STATUS	PURPOSE OF ISSUE			
P	ISSUED FOR PLANNING			

**MOR**  
MALONE O'REGAN  
CONSULTING ENGINEERS

2B Richview Office Park,  
Clonskeagh,  
DUBLIN 14.

Tel: +353 1 260 2655  
Fax: +353 1 260 2660  
Email: info@mor.ie

St. Catherine's House,  
Catherine Street  
WATERFORD

Tel: +353 51 876 855  
Fax: +353 51 876 828  
Email: info@waterford.mor.ie

CLIENT NAME	KILDARE COUNTY COUNCIL	DRAWING NAME	SITE DEVELOPMENT DETAILS
JOB NAME	PROPOSED RESIDENTIAL DEVELOPMENT AT NANCY'S LANE CLANE, CO. KILDARE	SHEET	2
JOB NUMBER	SHB2-CLA-CS-MOR-DR-121	REVISION	P
DWG NO		SHEET SIZE	A1
REVISION		SCALE	SHOWN
		DATE	FEB'18
		DRWN BY	KD
		ENGINEER	RO'D

DON'T SCALE DIMENSIONS